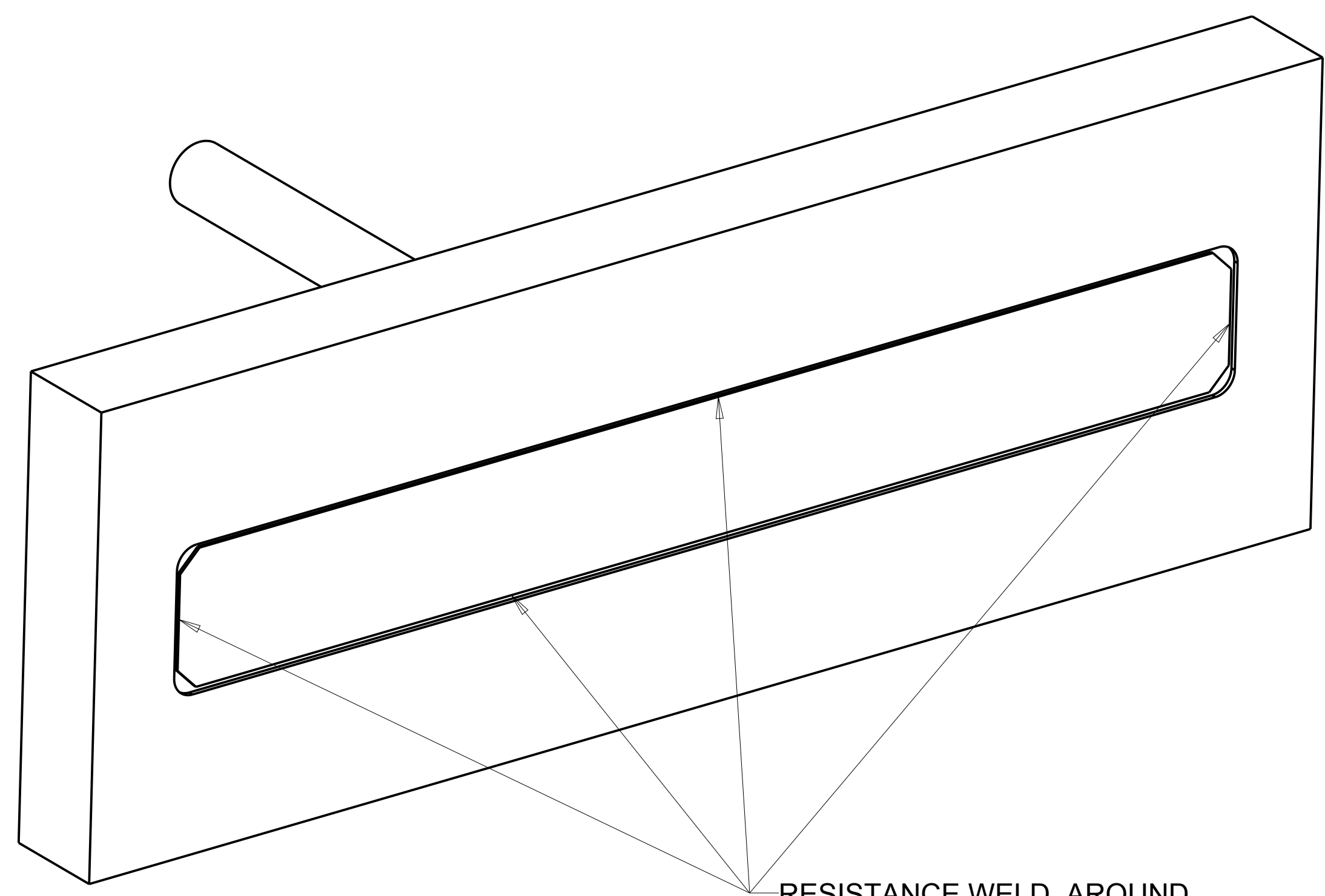
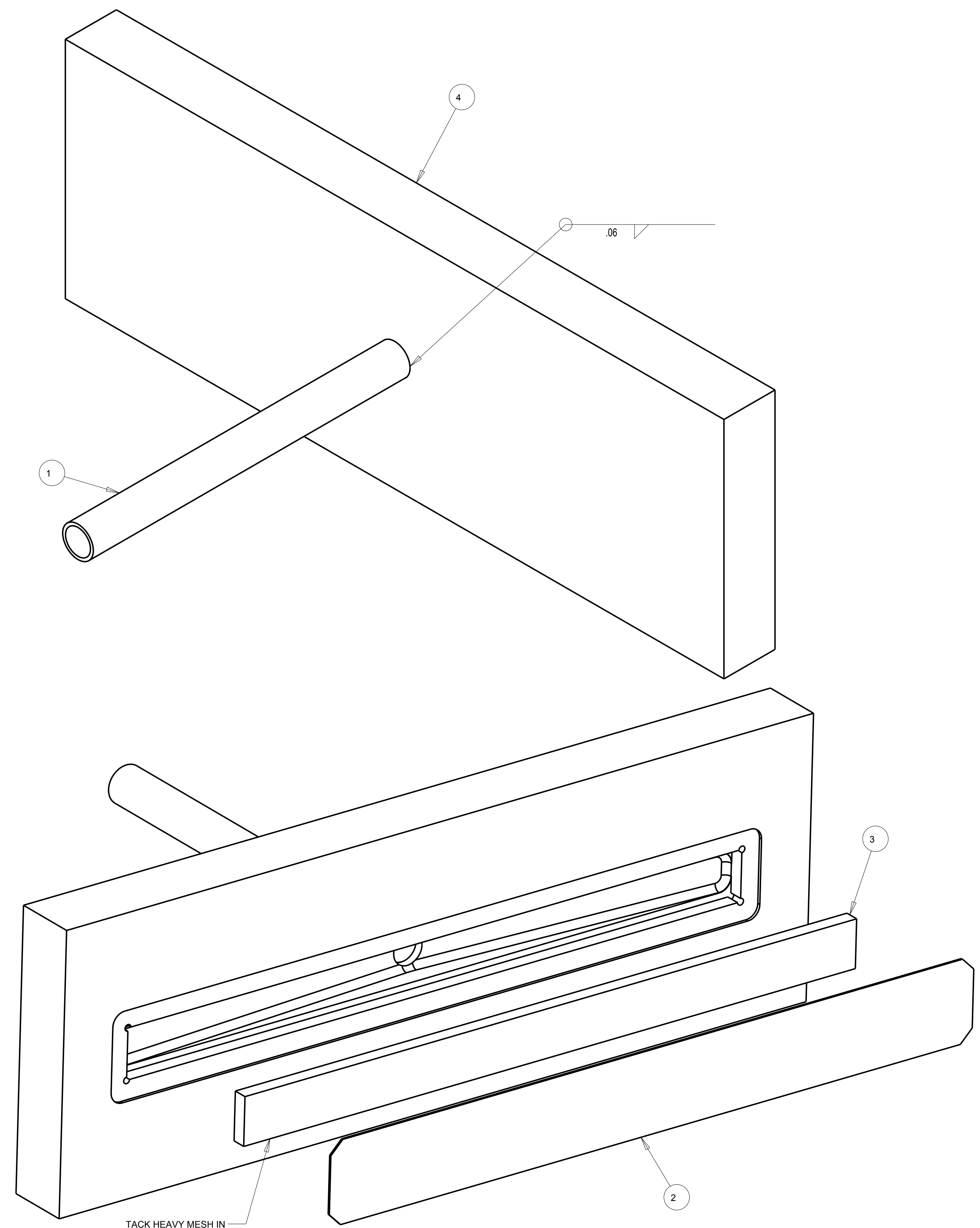


REVISIONS		
REV	DESCRIPTION	DATE
-	RELEASED	040215
A1	MODIFIED MANIFOLD	050115



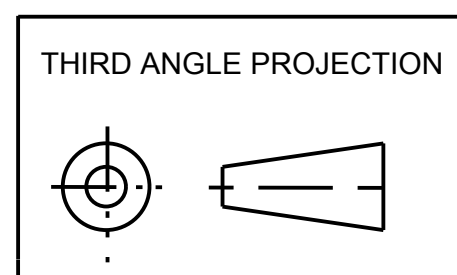
TACK HEAVY MESH IN POCKET BEFORE TACKING THE 5 LAYER MESH TO THE MANIFOLD

RESISTANCE WELD AROUND THE PERIMETER TO SECURELY HOLD MESH TO MANIFOLD.

QTY.	ITEM NO.	PART OR IDENTIFYING NO.	DESCRIPTION	MATERIAL SPECIFICATION
1	4	1006311	FTR WAVEFORM (WELDED) LOAD TEST MANIFOLD	SS304_316
1	3	1006187	FTR WAVEFORM LOAD TEST HEAVY MESH	SS304_316
1	2	1006186	FTR WAVEFORM LOAD TEST 5 LAYER MESH	SS304_316
1	1	1006180	FTR .375 OD X .035 WALL X 4" LOAD TEST TUBE	SS304_316

**BILL OF MATERIALS**

BACKGROUND TECHNOLOGY



DIMENSIONS ARE IN INCHES  
DUAL DIMENSIONING IS NOTED AS:  
INCH [MM] OR INCH [MM]

TOLERANCES ARE:  
DECIMALS  
.X ±.03 [ .76]  
.XX ±.01 [ .25]  
.XXX ±.004 [ .101]

ANGLES  
±0.5°

DO NOT SCALE DRAWING

**VELOCYS** 7950 Corporate Blvd.  
Plain City, Ohio 43064

TITLE  
**FTR WAVEFORM (WELDED)  
LOAD TEST MANIFOLD WELD**

CONFIDENTIAL INFORMATION  
OF VELOCYS, INC.

DETAIL DESIGNER  
DATE  
Jan-21-15

SIZE  
**D**  
DWG. NO.  
1006312

SCALE  
1.625

SHEET  
1 OF 1